

- o Flat Cable Connectors SEK
- o *har-mik®*
- o D-Sub
- o InduCom

Applications



Product details

09 33 010 2701

Female insert, Han 10 E

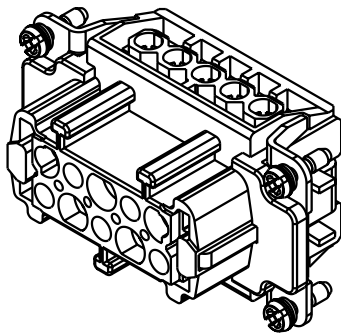
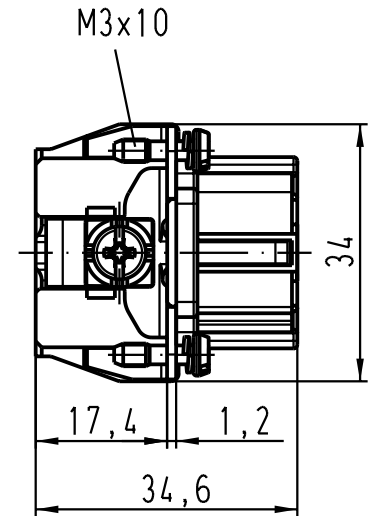
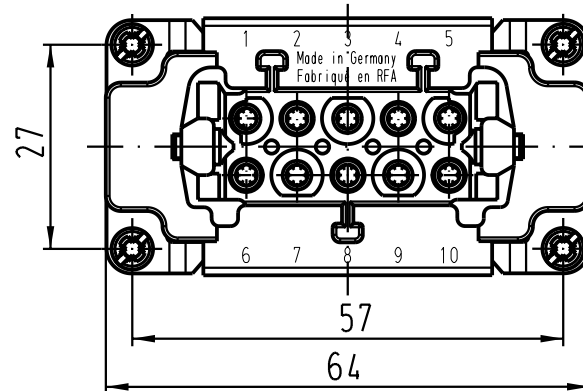
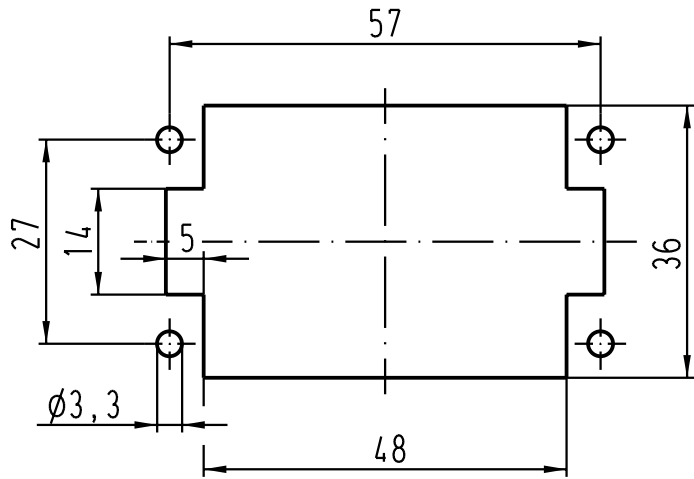
Series	Han E®, Han® ES/ESS, Han E® AV, Han® ES AV
Number of contacts	10 poles + PE
Size of hood/ housing	Han® 10 B
Termination	Screw term. with wire prot.
Insert material	Standard material
Contacts	Inclusive
Electrical data	16 A 500 V 6 kV 3
RoHS compliant	Yes

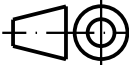

Inquiry

Available Downloads

Title	Format	
Data sheet	PDF	↓ download
CAD data 2D	DXF	↓ download
CAD data 3D	IGES	↓ download
CAD data 3D	STEP	↓ download

Montageausschnitt/
panel cut out



 All Dimensions in mm Original Size DIN A 4			Techn. Character.			Nicht tolerierte Masse / Free size tolerances			
				Dat.	Name	Mastab / Scale			
			Detail.	09.04.98	KR	1 : 1			
			Insp.		Rue.				
410526	18.07.03	Ho	Stand.			Han 10E-F-s Buchseneinsatz / female insert			
28552	11.10.00	ROH.							
26781									
Mod.	Dat.	Name	HARTING Electric GmbH & Co. KG D-32339 Espelkamp						
						TB 09 33 010 2701			Blatt / page /
						Sub.			